

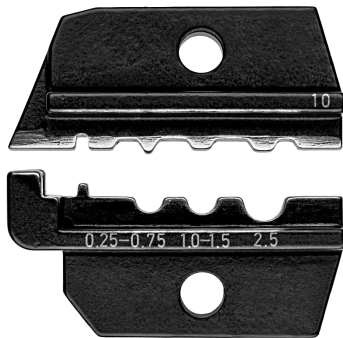
## Product Information

# 97 49 10

- Application: non-insulated tubular cable lugs and crimp terminals in accordance with DIN 46237 and non-insulated butt and crimp connectors in accordance with DIN 46341 0.75 / 1.5 / 2.5 mm<sup>2</sup>

### Die set

For non-insulated tube and crimp cable lugs and non-insulated butt and crimp connectors in accordance with DIN 46341



General	
Article No.	97 49 10
EAN	4003773076896
Weight	37 g
Dimensions	12 x 32 mm
REACH compliant	does not contain SVHC
RoHS compliant	not applicable
Technical details	
Application	for non-insulated crimp
Capacity in square millimetres	0.25 – 2.5 mm <sup>2</sup>
AWG	24 – 14

*Technical changes and errors excepted*