

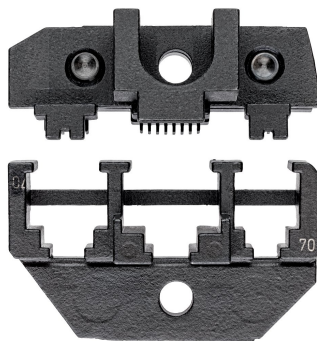
Product Information

97 49 70

- 4-, 6-, 8-pin
- RJ9, RJ10, RJ11, RJ12, RJ45
- Application: Western plugs, 4, 6, 8-poles RJ 10 / 11 / 12 / 45

Die set

For Western plugs



General

Article No.	97 49 70
EAN	4003773030942
Weight	72 g
Dimensions	50 x 32 mm
REACH compliant	does not contain SVHC
RoHS compliant	not applicable

Technical details

Application	unshielded Western plugs with open housing
Capacity in square millimetres	4, 6, 8-poles RJ 10 / 11 / 12 / 45
Number of crimp profiles	3

Technical changes and errors excepted

